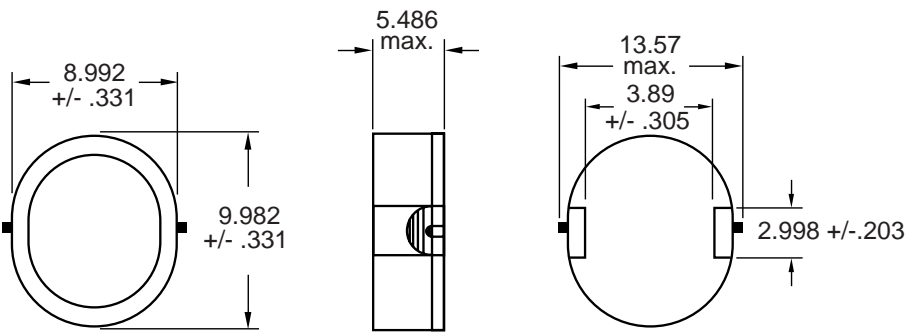


# SMBS35 Surface Mount Shielded Inductor



Dimensions in mm



Wilco Part Number	Inductance (uh)	Tolerance (%)	Test Freq. (MHz)	DCR Max. (Ohms)	Rated Current (A)
SMBS35-100M	10	20	2.52	0.05	2.4
SMBS35-150M	15	20	2.52	0.07	2.1
SMBS35-220M	22	20	2.52	0.09	1.7
SMBS35-330L	33	15	2.52	0.11	1.4
SMBS35-470L	47	15	2.52	0.15	1.2
SMBS35-680L	68	15	2.52	0.22	0.97
SMBS35-101L	100	15	1 Khz	0.34	0.8
SMBS35-151L	150	15	1 Khz	0.51	0.65
SMBS35-181L	180	15	1 Khz	0.57	0.60
SMBS35-221L	220	15	1 Khz	0.77	0.54
SMBS35-331L	330	15	1 Khz	1.01	0.44
SMBS35-391L	390	15	1 Khz	1.42	0.41
SMBS35-471L	470	15	1 Khz	1.57	0.37

## FEATURES

- Small size allows for high mounting density
- Magnetic shielding reduces EMI
- Suitable for pick and place assembly
- Suitable for reflow solder
- Large DC current capability with low DC resistance
- Embossed carrier tape packaging
- Polarity identification available
- Custom inductances available

## APPLICATIONS

- DC to DC converters
- Switching regulators
- Power supplies
- EMI/RFI filtering

**Operating Temp:** -30° C to 100° C.

**External Appearance:** Clean and no external defect by visual inspection

**Heat Endurance:** Heat at 150° C for 3 minutes; then 200° C for 25 seconds. No mechanical or electrical defect after that when back to room temperature.

**Insulation:** Over 100M ohm at 100Vdc (coil and core).

**Dielectric:** 100 Vdc for one minute (coil and core).

**Humidity:** Deviate +/- 5%, after 96 hours in 90-95% humidity at 40 degrees C and 1 hour of drying.

**Vibration:** Deviate +/- 5%, vibration of 1 hour, three direction: 10-55-10 Hz: 1.5mm p-p amplitude.

**Shock:** Deviate 5% after drop down 100G shock attitude for one time in each direction.

**Packaging:** 600 per reel

## Wilco Corporation

6451 Saguro Ct.  
Indianapolis, IN 46268  
Hotline 800•611•2343  
Fax 317•293•9462  
www.wilcocorp.com