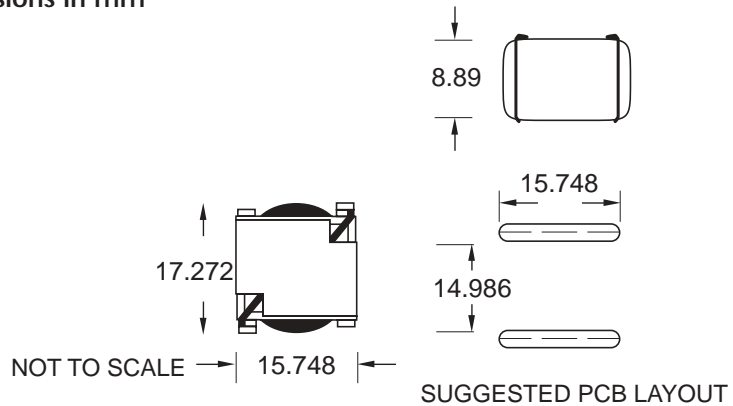




Dimensions in mm



FEATURES

- Surface mounting
- The torodial core design produces a closed magnetic field resulting in low EMI
- Custom inductances available

APPLICATIONS

- Switching power supplies
- Hash filters
- Output chokes
- EMI/RFI filtering

Wilco Part Number	L u H +/- 15%	MAX Rdc (OHMS)	MAX (AMPS)
SMT10G	1.0	.004	5.0
SMT15G	1.5	.005	5.0
SMT22G	2.2	.007	5.0
SMT33G	3.3	.008	5.0
SMT47G	4.7	.010	5.0
SMT68G	6.8	.012	4.5
SMT100	10	.014	4.5
SMT120	12	.018	4.0
SMT150	15	.020	4.0
SMT180	18	.025	3.5
SMT220	22	.029	3.5
SMT270	27	.035	2.5
SMT330	33	.040	2.5
SMT390	39	.060	2.5
SMT470	47	.095	2.5
SMT560	56	.120	2.5
SMT680	68	.125	2.0
SMT820	82	.200	1.7
SMT101	100	.250	1.7
SMT121	120	.310	1.5
SMT151	150	.420	1.5
SMT181	180	.490	1.5
SMT221	220	.590	1.0
SMT271	270	.640	1.0
SMT331	330	.660	0.7
SMT391	390	.740	0.7
SMT471	470	.880	0.7
SMT681	680	1.10	0.5
SMT102	1000	1.60	0.5

- Inductance measured with zero DC current
- Test Frequency 1 KHz

Wilco Corporation

6451 Saguro Ct.
Indianapolis, IN 46268
Hotline 800•611•2343
Fax 317•293•9462
www.wilcocorp.com