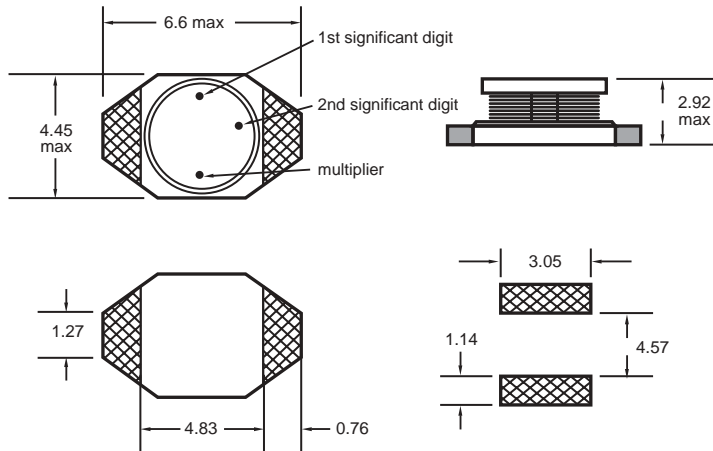


# WO20 Series SMT Power Inductor



Dimensions in mm



Wilco Part Number	Inductance (uh) +/-20%	DCR Max Ohms	SRF Typ (Mhz)	Isat Amps	Irms Amps
WO20-1R0M	1	0.063	125	2.9	2.9
WO20-2R2M	2.2	0.075	90	2.3	2.4
WO20-3R3M	3.3	0.088	70	2.0	2.0
WO20-6R8M	6.8	0.138	45	1.2	1.4
WO20-100M	10	0.175	35	1.1	1.1
WO20-150M	15	0.25	30	0.9	0.9
WO20-220M	22	0.4	20	0.7	0.8
WO20-330M	33	0.55	15	0.58	0.6
WO20-470M	47	0.7	14	0.5	0.5
WO20-680M	68	0.938	11	0.4	0.4
WO20-101M	100	1.38	7	0.31	0.3
WO20-151M	150	2.125	6	0.27	0.25
WO20-221M	220	2.875	5.2	0.22	0.2
WO20-331M	330	4.124	4.9	0.18	0.16
WO20-471M	470	5.3	4	0.16	0.15
WO20-681M	680	8.5	3	0.14	0.12
WO20-102M	1000	15	2	0.1	0.07

Operating Temp: -40° C to 85° C.  
 Test Frequency: (L) @100Khz 0.1 Vrms  
 Inductance Drop: 10% at rated Isat  
 Packaging: 2000 per reel

## FEATURES

- Small size allows for high mounting density
- Suitable for Re-flow Solder
- Large DC current capability with low DC resistance
- Embossed carrier tape
- Suitable for pick and place automation

## APPLICATIONS

- Hand held/portable devices
- Noise filtering
- DC to DC converter applications
- Switching regulators
- Power supplies
- EMI/RFI filtering

## Wilco Corporation

6451 Saguro Ct.  
 Indianapolis, IN 46268  
 Hotline 800•611•2343  
 Fax 317•293•9462  
 www.wilcocorp.com