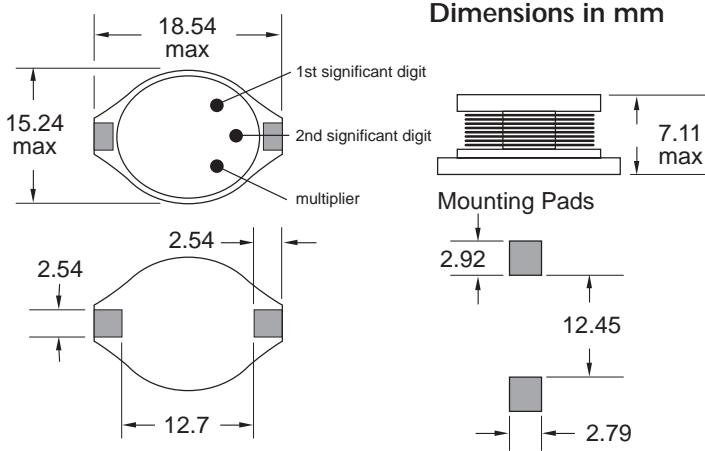


WO60 Series SMT Power Inductor



FEATURES

- Small size allows for high mounting density
- Suitable for Re-flow solder
- Large DC current capability with low DC resistance
- Embossed carrier tape
- Suitable for pick and place automation

APPLICATIONS

- Hand held/portable devices
- DC to DC converter applications
- Switching regulators
- Power supplies
- EMI/RFI filtering

Wilco Part Number	Inductance (uh) +/-20%	DCR Max (Ohms)	SRF Typ (MHz)	Isat Amps	Irms Amps
WO60-1R0M	1	0.011	80	20	8.6
WO60-2R2M	2.2	0.014	80	16	7.1
WO60-3R3M	3.3	0.016	60	14	6.2
WO60-5R6M	5.6	0.022	40	12	5.3
WO60-100M	10	0.032	30	10	4.3
WO60-150M	15	0.036	22	8	4
WO60-220M	22	0.047	20	7	3.5
WO60-330M	33	0.066	15	5.5	3
WO60-470M	47	0.087	9	4.5	2.6
WO60-680M	68	0.13	8	3.5	2.3
WO60-101M	100	0.19	7	3.0	1.8
WO60-151M	150	0.25	6	2.6	1.5
WO60-221M	220	0.38	5	2.4	1.2
WO60-331M	330	0.56	4	1.9	1
WO60-471M	470	0.85	3	1.4	0.82
WO60-681M	680	1.2	2.5	1.2	0.72
WO60-102M	1000	1.8	2	1	0.56

Operating Temp: -40° C to 85° C.
Test Frequency: (L) @ 100 Khz 0.1 Vrms
Inductance Drop: 10% at rated Isat
Packaging: 250 per reel

Wilco Corporation

6451 Saguro Ct.
 Indianapolis, IN 46268
 Hotline 800•611•2343
 Fax 317•293•9462
www.wilcocorp.com